



EM3G-13 series is a medium speed and medium inertia standard AC servo motor. Output power 1300 W delivers the same output torque as other models 1500 W, but with has a shorten length size. Motors are available with optical 23-bit or magnetic 17-bit absolute encoder. Optional 24VDC brake is available.

EM3G servo motor series is designed to provide increased operating speed range without reducing output power. This feature significantly expands the range of possible usage applications and in many cases allows excluding a gearbox, improving reliability and reducing overall cost.

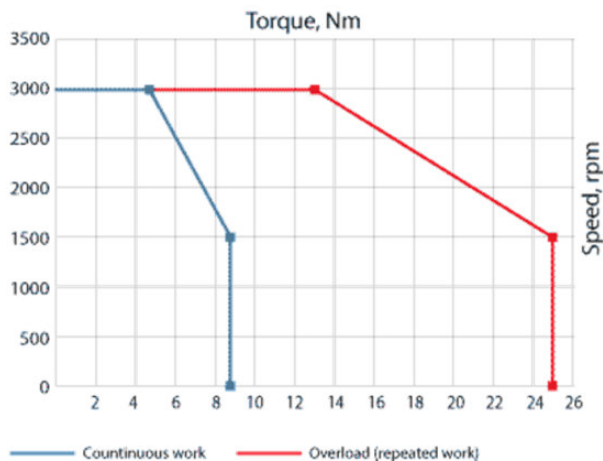
## Technical data

Output power	1300 W
Rated speed	1500 rpm
Maximum speed	3000 rpm
Rated torque	8.28 Nm
Maximum torque	24.8 Nm
Rated current (200 V models EM3G-13A)	9.7 A
Maximum current (200 V models EM3G-13A)	29.7 A
Rated current (400 V models EM3G-13D)	5 A
Maximum current(400 V models EM3G-13D)	15.6 A

## Technical data

Motor inertia (motor without brake)	17.3 kg*cm <sup>2</sup>
Motor inertia (motor with brake)	17.9 kg*cm <sup>2</sup>
Allowable radial shaft load	686 N
Allowable axial shaft load	343 N
Optional brake holding torque	≥20 Nm
Optional brake voltage	24 VDC
Weight (motor without brake)	7 kg
Weight (motor with brake)	8.7 kg
Flange	130 mm

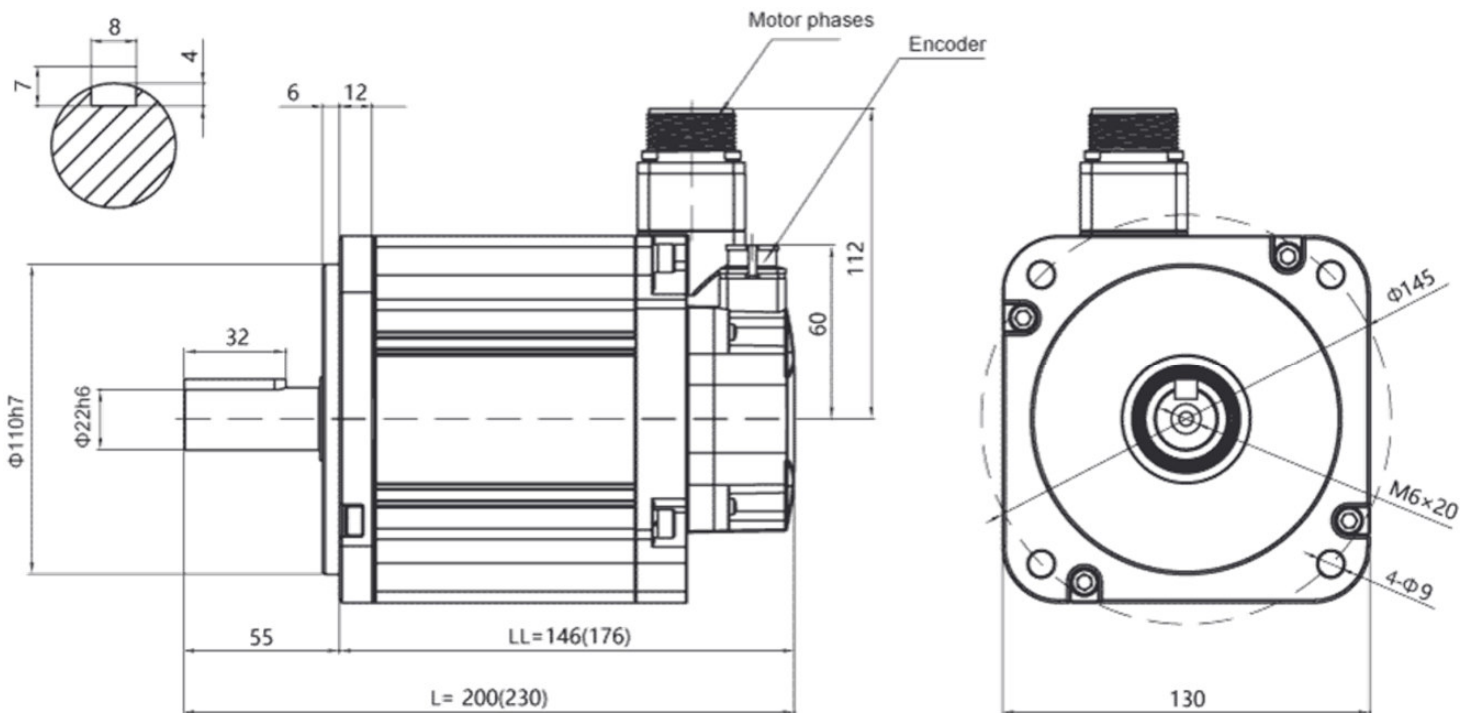
## Speed-torque curves



## Available motor models

Motor model	Encoder	Brake	Servo drive	Input drive supply voltage
EM3G-13ALA224	absolute optic encoder, resolution 23-bit (8 388 608 ppr)	-	ED3L-15AMA ED3L-15AEA ED3L-15APA	Single phase AC 200V...240V
EM3G-13ALA244		✓		
EM3G-13ATA224	absolute magnetic encoder, resolution 17-bit (131 072 ppr)	-	ED3L-15DMA ED3L-15DEA ED3L-15DPA	Three phase AC 380V...440V
EM3G-13ATA244		✓		
EM3G-13DLA224	absolute optic encoder, resolution 23-bit (8 388 608 ppr)	-	ED3L-15DMA ED3L-15DEA ED3L-15DPA	Three phase AC 380V...440V
EM3G-13DLA244		✓		
EM3G-13DTA224	absolute magnetic encoder, resolution 17-bit (131 072 ppr)	-	ED3L-15DMA ED3L-15DEA ED3L-15DPA	Three phase AC 380V...440V
EM3G-13DTA244		✓		

## Dimensions of AC servo motor EM3G-13



Note: The values in parentheses represent the values of motors with brakes

