



AC brushless servo motor EM3G-44 provides higher output torque compare to the same size 5 kW models. The motor is medium speed and medium inertia model with expanded range of run speeds. Movement accuracy is ensured by high resolution 23-bit optical or 17-bit magnetic absolute encoder. Optional 24VDC brake is available.

EM3G servo motor series is designed to provide increased operating speed range without reducing output power. This feature significantly expands the range of possible usage applications and in many cases allows excluding a gearbox, improving reliability and reducing overall cost.

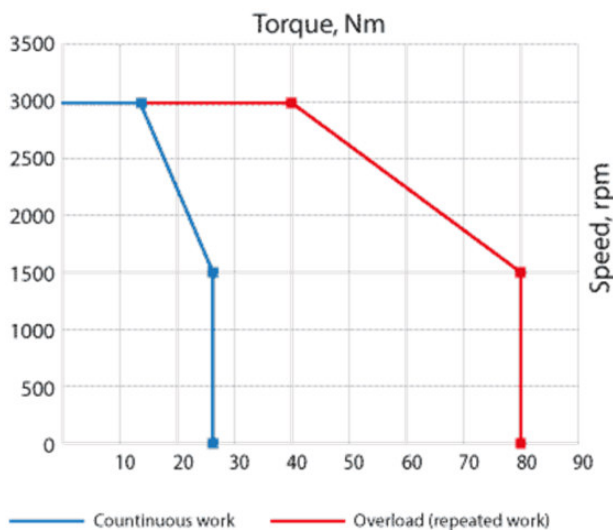
Technical data

Output power	4400 W
Rated speed	1500 rpm
Maximum speed	3000 rpm
Rated torque	28.4 Nm
Maximum torque	80 Nm
Rated current	16.8 A
Maximum current	49.5 A
Motor inertia (motor without brake)	58.8 kg*cm ²

Technical data

Motor inertia (motor with brake)	64.6 kg*cm ²
Allowable radial shaft load	1470 N
Allowable axial shaft load	490 N
Optional brake holding torque	≥44 Nm
Optional brake voltage	24 VDC
Weight (motor without brake)	17.6 kg
Weight (motor with brake)	21.8 kg
Flange	180 mm

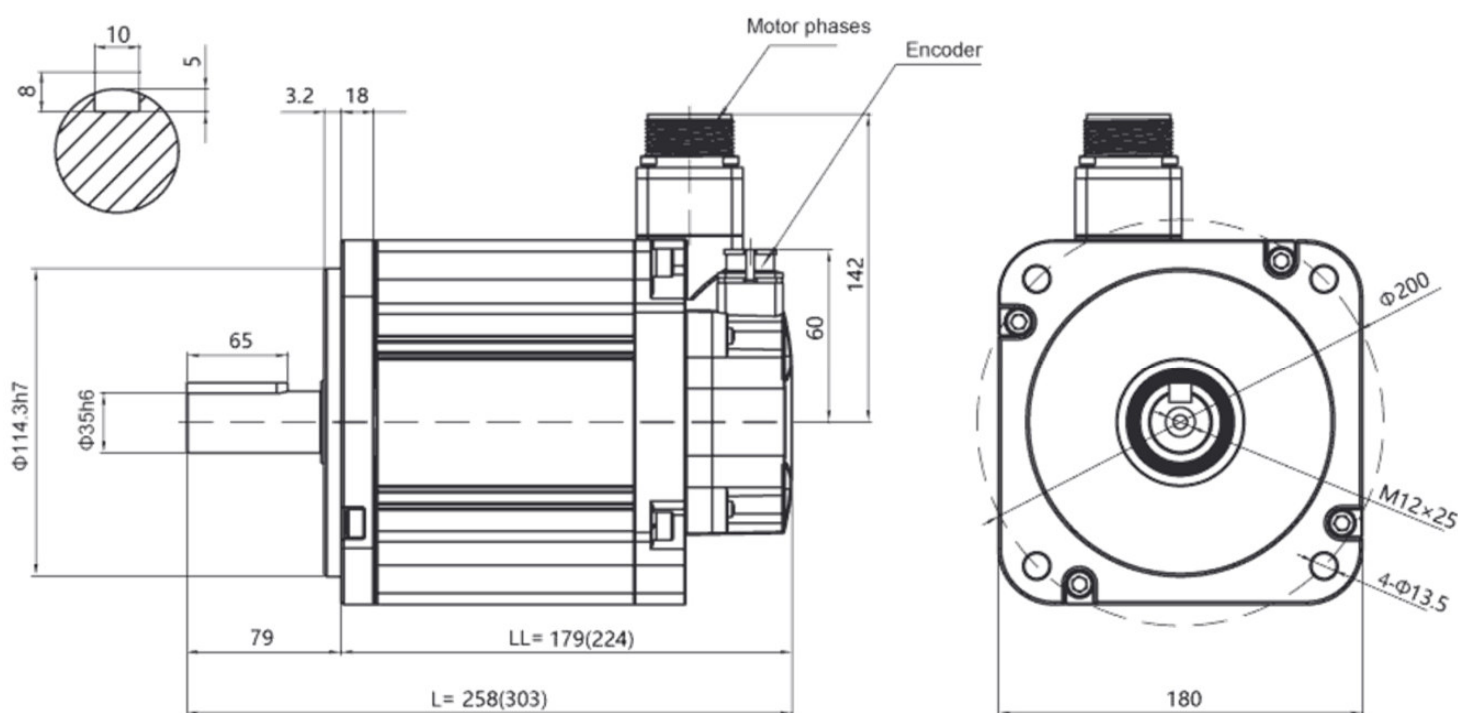
Speed-torque curves



Available motor models

Motor model	Encoder	Brake	Servo drive	Input drive supply voltage
EM3G-44DLA224	absolute optic encoder, resolution 23-bit (8 388 608 ppr)	-	ED3L-50DMA ED3L-50DEA ED3L-50DPA	Three phase AC 380V...440V
EM3G-44DLA244		✓		
EM3G-44DTA224	absolute magnetic encoder, resolution 17-bit (131 072 ppr)	-		
EM3G-44DTA244		✓		

Dimensions of AC servo motor EM3G-44



Note: The values in parentheses represent the values of motors with brakes

