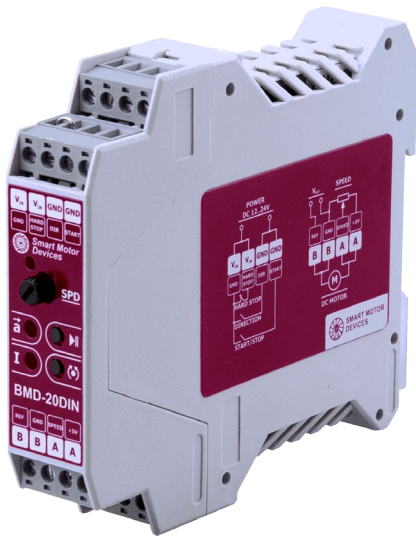


BMD-20DIN

DC BRUSH MOTOR DRIVER



BMD-20DIN is a driver designed to control speed, direction, acceleration and deceleration of DC brush motors.

The current limiting function protects motors from overloads.

Technical parameters

Rated current in motor phase	20 A
Phase current limitation	0.2 – 20 A
Short-circuit protection	30 A
Power supply	12 – 24 VDC

Inputs for external discrete signals

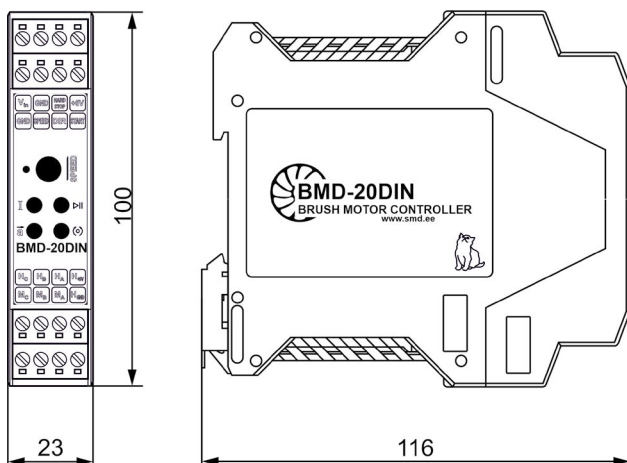
- START/STOP – to start and stop the motor
- DIR – to control the rotation direction
- HARD STOP – emergency stop signal

External signals START/STOP and DIR can be used as per the signal level or per front edge of the signal.

Speed control

- Internal built-in potentiometer
- Inputs for connection of an external potentiometer
- Analog voltage signal – 0..5VDC
- Acceleration and deceleration rate is adjusted by the internal built-in potentiometer

Dimensions



Connection example

