

# BMD-5DIN

## DC BRUSH MOTOR DRIVER



BMD-5DIN is a driver designed to control speed, direction, acceleration and deceleration of DC brush motors.

The current limiting function protects motors from overloads.

### Technical parameters

Rated current in motor phase	5 A
Phase current limitation	0.1 – 5 A
Short-circuit protection	10 A
Power supply:	12 – 24 VDC

### Inputs for external discrete signals

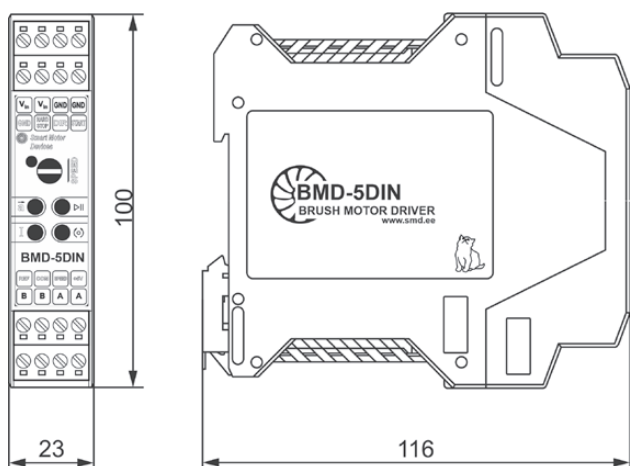
- START/STOP – to start and stop the motor
- DIR – to control the rotation direction
- HARD STOP – emergency stop signal

External signals START/STOP and DIR can be used as per the signal level or per front edge of the signal.

### Speed control

- Internal built-in potentiometer
- Inputs for connection of an external potentiometer
- Analog voltage signal – 0..5VDC or 0..10VDC
- Acceleration and deceleration rate is adjusted by the internal built-in potentiometer

### Dimensions



### Connection example

