

SM6551W

BRUSH DC GEARMOTOR



We sell DC motors with gear heads. Brush DC motors are cheap, easy to use and don't require any service.

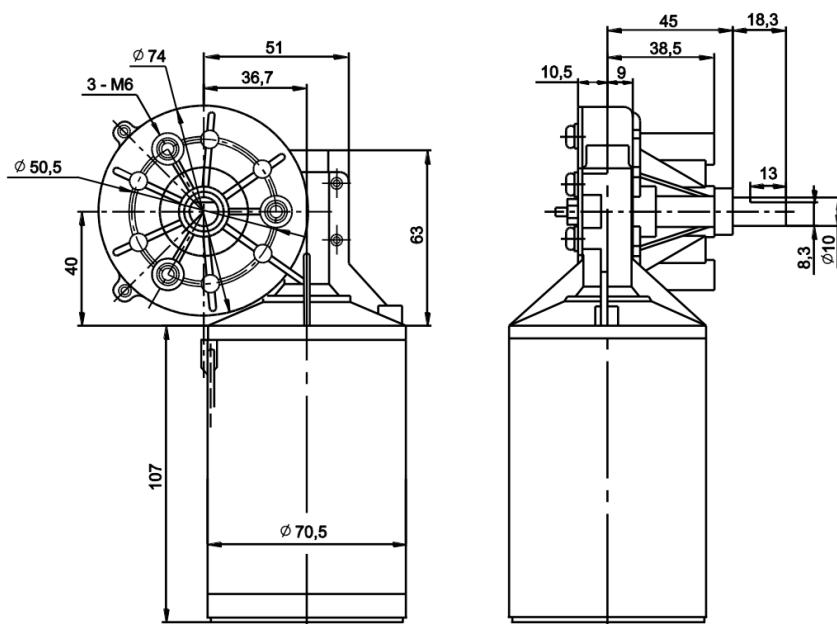
DC motors are applied in industrial machinery, robotics, tools, toys, simulators, electro bikes, transporters and other machines.

A reversible DC brush motor is equipped with a worm gearhead. The motor is maintenance-free. The worm gearbox is self-impeding, this is useful feature for some systems. Supply voltage 24 VDC is common for industrial using. We supply the geared motor reduction ratio 1/65.

Technical parameters

Motor power	70 W	Reduction ratio	1/65
Rated torque	78 kgf*cm	Gearhead type	worm
Rated speed	54 rpm	Voltage	24 VDC

Dimensions



Address: Tallinn Science Park Tehnopol,
Akadeemia tee 21/6, 12618, Tallinn, Estonia
Phone: +372 6559914
E-mail: sale@smd.ee



SMART MOTOR DEVICES
DRIVERS AND CONTROLLERS FOR ELECTROMOTORS