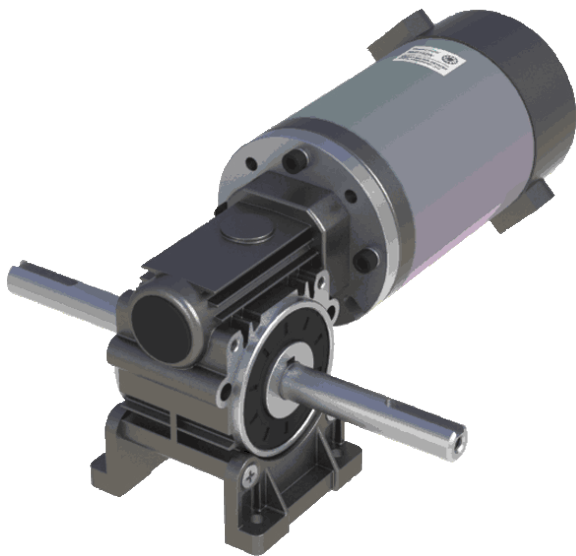


SM7152W

BRUSH DC GEARMOTOR



DC brush motor is equipped with a worm gearhead. The motor is maintenance-free. The worm gearbox is self-impeding, this is useful feature for some systems. Supply voltage 24 VDC is common for industrial using.

We supply the geared motor reduction ratio 1/50.

Technical parameters

Motor power	150 W	Reduction ratio	1/50
Rated torque	104.5 kgf*cm	Gearhead type	worm
Rated speed	50 rpm	Voltage	24 VDC

Dimensions

