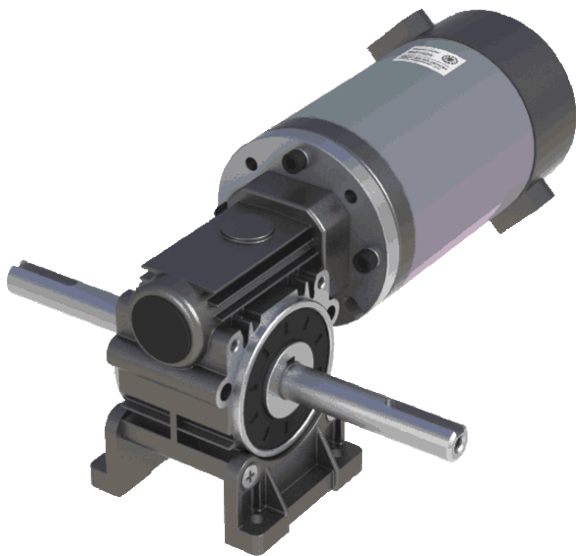


# SM7165W

## BRUSH DC GEARMOTOR



SM7165W is a DC brush motor with worm gear-head. The motor is reversible, maintenance-free. Gearmotor is self-impeding.

The standard reduction ratio is 1/30. Other ratios are on request.

### Technical parameters

Motor power	200 W	Reduction ratio	1/30
Rated torque	110 kgf*cm	Gearhead type	worm
Rated speed	100 rpm	Voltage	24 VDC

### Dimensions

