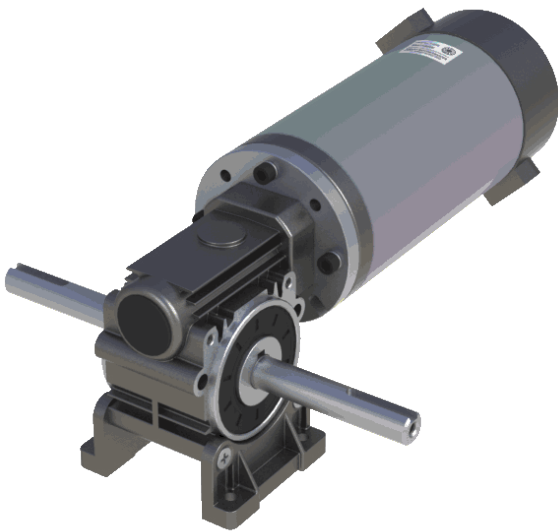


SM7185W

BRUSH DC GEARMOTOR



SM7185W is a DC brush motor with worm gear-head. The motor is reversible, maintenance-free. Gearmotor is self-impeding.

The standard reduction ratio is 1/15. Other ratios are on request.

Technical parameters

Motor power	240 W	Reduction ratio	1/15
Rated torque	75 kgf*cm	Gearhead type	worm
Rated speed	215 rpm	Voltage	24 VDC

Dimensions

