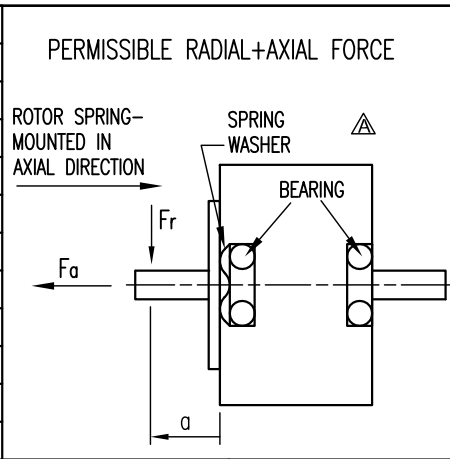
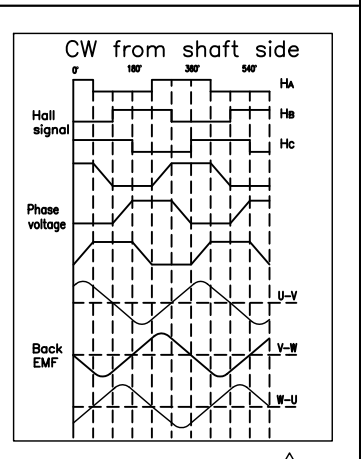


SPECIFICATION	CONNECTION	STAR
NO. OF POL./PHASE		6/3
VOLTAGE RATED (VDC)		24
CURRENT RATED/PEAK (AMP)		5/ 15
RESISTANCE/PHASE TO PHASE (Ohms) @20°C		0.57 ±10%
INDUCTANCE/PHASE TO PHASE (mH) @1KHz		0.63 ±20%
TORQUE RATED/PEAK (Nm) [lb-in]		0.23/0.69 [2.04/6.11]
TORQUE CONSTANT (Nm/A)/BACK-EMF (Vrms/kRPM)		0.045/ 3.84
POWER RATED (W)		84
SPEED RATED/NO LOAD (RPM)		3500/4800
ROTOR INERTIA (Kg-m <sup>2</sup> ) [lb-in <sup>2</sup> ]		7.5x10 <sup>-6</sup> [0.025]
WEIGHT (Kg) [lb]		0.52 [1.145]

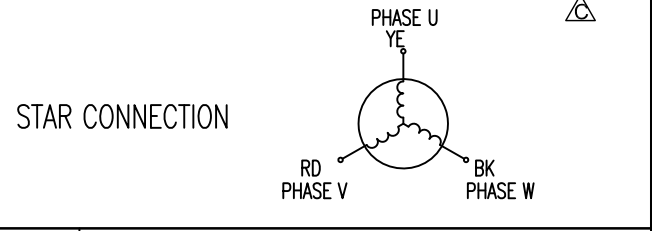


WIRING DIAGRAM			
	COLOR	FUNCTION	LEAD GAUGE
MOTOR 6 POL.	YE	U	UL1332 AWG18
	RD	V	
	BK	W	
HALL 18 IMPL. REV.	RD	+5V	UL1430 AWG26
	BU	H1	
	GN	H2	
	WH	H3	
	BK	GND	



TEMPERATURE RISE: MAX.80°C	AXIAL-FORCE Fa (N)	Fa=15
AMBIENT TEMPERATURE -10°~ 50°C [14°F ~ 122°F]	DISTANCE a (mm)	20
INSULATION RESISTANCE 100 MOhm (UNDER NORMAL TEMPERATURE AND HUMIDITY)	RADIAL-FORCE Fr (N)	75
INSULATION CLASS B 130° [266°F]		AXIAL RADIAL
DIELECTRIC STRENGTH 500VAC FOR 1 MIN. (BETWEEN THE MOTOR COILS AND THE MOTOR CASE)	SHAFT PLAY (mm)	0.025 0.025
AMBIENT HUMIDITY MAX. 85% (NO CONDENSATION)	AT LOAD MAX: (N)	40 4.6

AXIAL-FORCE Fa (N)	Fa=15
DISTANCE a (mm)	20
RADIAL-FORCE Fr (N)	75
	AXIAL RADIAL
SHAFT PLAY (mm)	0.025 0.025
AT LOAD MAX: (N)	40 4.6



1	change tolerance/revise draw.	30.05.17	A.S.	 <b>Nanotec</b> <sup>®</sup> PLUG & DRIVE	APVD	G.S.	09.12.13	<b>BRUSHLESS DC MOTOR</b> DWG.NO DB59S024035R-A		
E	-	15.11.16	A.S.		CHKD					
D	Length	13.08.14	A.S.	Surface specification DIN ISO 1302	General tolerances DIN ISO 2768- ch	Work piece edge DIN ISO 13715	DRN	J.D.	09.12.13	DWG.NO
REV	DESCRIPTION	DATE	DRN				SIGNATURE	DATE		