

LD3-12-30-K3 LD3-24-30-K3

LINEAR ACTUATOR

Powerful linear actuators with gear ratio 1:30 are used as actuation mechanism in systems with high stem force requirements. The actuator can be ordered with built-in Hall sensors.

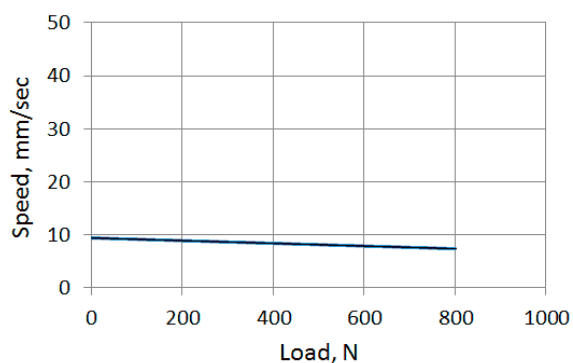


Technical parameters

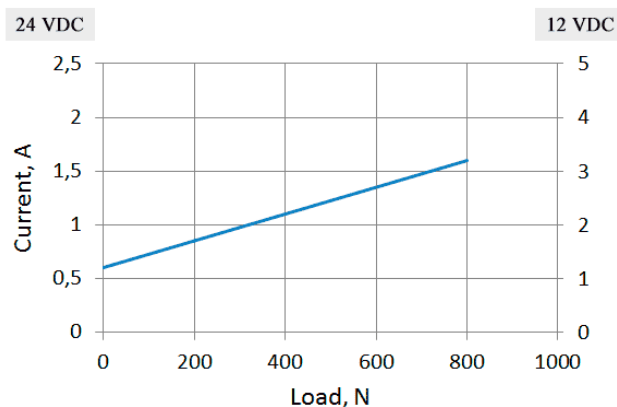
Voltage	12 - 24 VDC
Push/pull force	800 N
Rated speed	7.5 mm/s
Stroke	50 – 300 mm
Hall sensors	optional

Load diagrams

Speed/load diagram of linear actuators
LD3-12-30-K3 / LD3-24-30-K3



Current/load diagram of linear actuators
LD3-12-30-K3 / LD3-24-30-K3

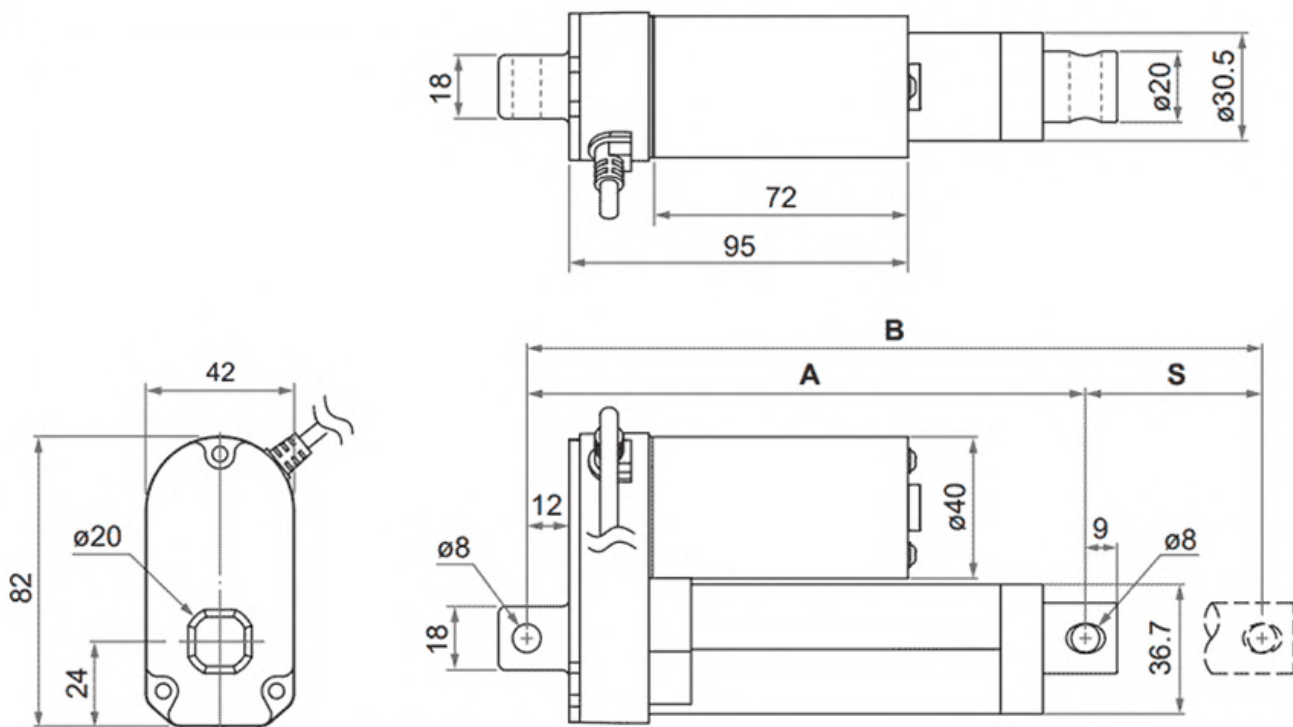


Dimensions

Stroke (S)	50	100	150	200	250	300
Length A, mm	158	209	260	311	362	413
Length B, mm	208	309	410	511	612	713



Linear actuator without Hall sensors



Linear actuator without Hall sensors

