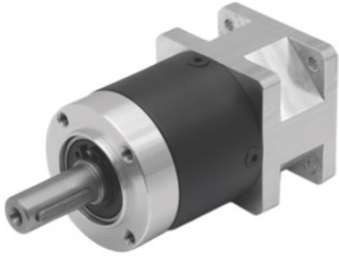


GPLE40

PRECISION PLANETARY GEARBOX



The low-play planetary gearboxes for NEMA 17 (42 mm), NEMA 23 (56 mm) and NEMA 24 (60 mm) motors provide high running torques, high torsional stiffness, low circumferential backlash, high admissible axial and radial shaft loads and low running noise.

Note: The spacer sleeve MK-DH-6,35-8-GPLE40 must also be ordered if this gearbox will be attached to motors with an 6,35 mm shaft.

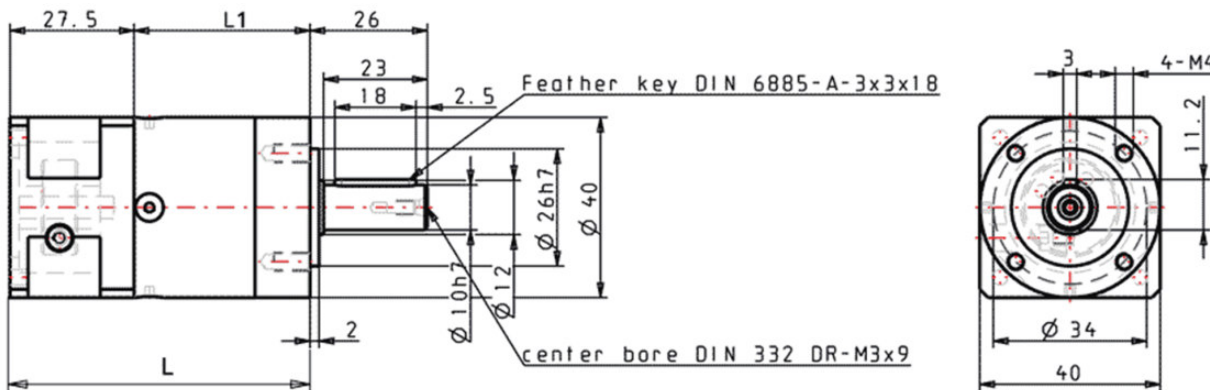
Technical data

Suitable for motor sizes	NEMA 17 (42 mm), NEMA 23 (56 mm) and NEMA 24 (60 mm)
Rated output torque	5 - 20 Nm
Max. backlash	15' - 22' (arc. Minutes)
Efficiency	48 - 98 %
Possible reduction ratios	3 - 512

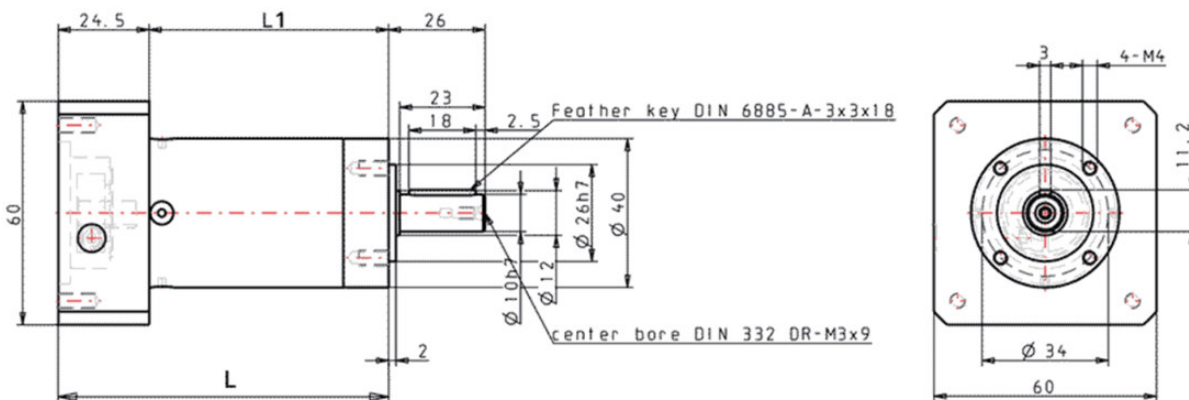
Technical data

Moment of inertia	0.09 kg mm ²
IP protection	IP43
Admissible radial shaft Load	20 N
Admissible axial shaft Load	20 N
Operating temperature	-25 to +90 °C

Dimensions of precision planetary gearbox GPLE40 for NEMA 17



Dimensions of precision planetary gearbox GPLE40 for NEMA 23 and NEMA 24



Technical data of precision planetary gearbox GPLE40

Reduction ratio	Rated output torque, Nm	Max. output torque, Nm	Efficiency, %	Max. backlash, arc minutes	Moment of inertia, kg*mm ²	Length L1, mm	Length L, mm		Weight, kg
							NEMA17	NEMA23 NEMA24	
3	11	17.5	98	15	3.1	39	66.5	63.5	0.35
4	15	24	98		2.2				
5	14	22	98		1.9				
8	6	10	96		1.7				
10	5	8	95		1.6				
9	16.5	26	97	19	3	52	79.5	76.5	0.45
12	20	32	96		2.9				
15	18	29	96		2.3				
16	20	32	96		2.2				
20	20	32	96		1.9				
25	18	29	95		1.9				
32	20	32	95		1.7				
40	18	29	94		1.6				
64	7.5	12	86		1.6				
60	20	32	92	22	2.9	64.5	92	89	0.55
80	20	32	90		1.9				
100	20	32	89		1.9				
120	18	29	87		2.9				
160	20	32	86		1.6				
200	18	29	82		1.6				
256	20	32	81		1.6				
320	18	29	76		1.6				
512	7.5	12	48		1.6				

