

SMD-2.8DIN

STEP MOTOR DRIVER



SMD-2.8DIN is a driver for small and medium size stepper motors. The driver provides smooth operation and good speed-torque performance. The driver has the STO (Safe Torque Off) function which provides motor phases deenergizing in case of any alarm situation.

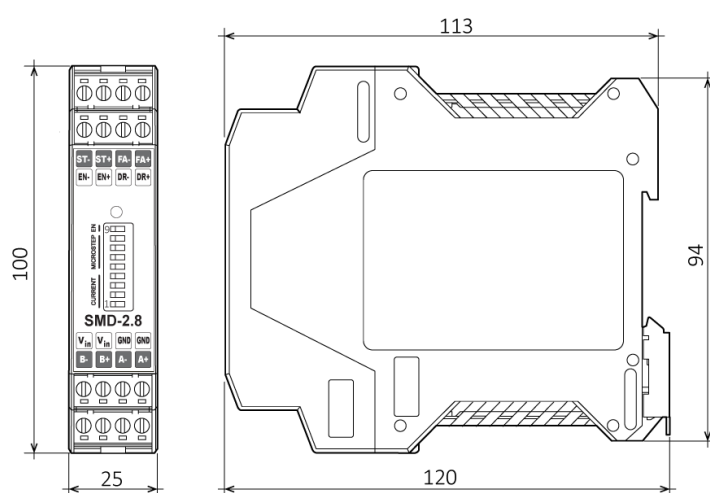
Technical parameters

Max. current per phase	1.3 – 2.8 A
Supply voltage	12 – 24 VDC
Microstepping	1/1, 1/2, 1/4, 1/8, 1/16 1/32, 1/64, 1/128, 1/256

Control signals

- STEP/DIR – voltage input signals for pulse position control
- ENABLE – voltage level input signal to control energizing of the motor phases
- FAULT – output signal for monitoring emergency situations

Dimensions



Connection example

