



SMD-4.2DIN ver.2 is a stepper motor driver with advanced functionality. The driver is designed to control two and four-phase hybrid stepper motors and delivers high dynamics that accelerates the motor to over 1000 rpm in a fraction of a second and easily reaches operating speeds of over 4000 rpm while maintaining enough torque to perform useful work.

The driver has inputs for brake resistor connecting.

Technical parameters

Max. current per phase	0.1 – 4.2 A
Supply voltage	12 – 24 VDC
Microstepping	1/1, 1/2, 1/4, 1/8, 1/16, 1/32, 1/64, 1/128

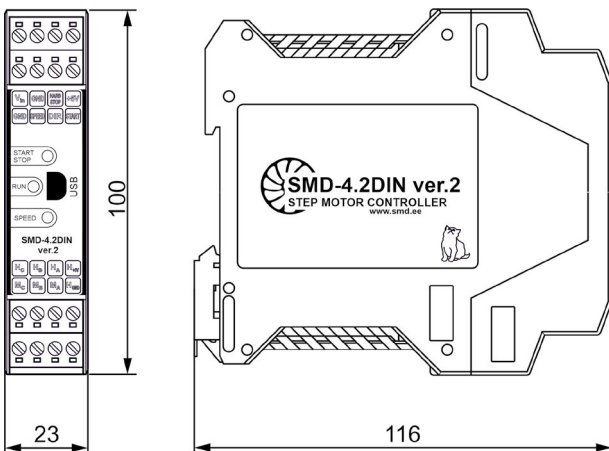
Operation modes

- STEP/DIR Pulse position control
- Analog speed control – 0...5 VDC or potentiometer
- Analog control of rotation angle – 0...5 VDC or potentiometer
- Constant speed rotation

Phases commutating methods

- Current control – provides higher torque and excellent dynamics
- Voltage control – provides smooth silent motion and microstepping up to 1/128

Dimensions



Software for the controller

