

APBA60M048030-E

BRUSHLESS DC MOTOR WITH IP65 WITH ENCODER



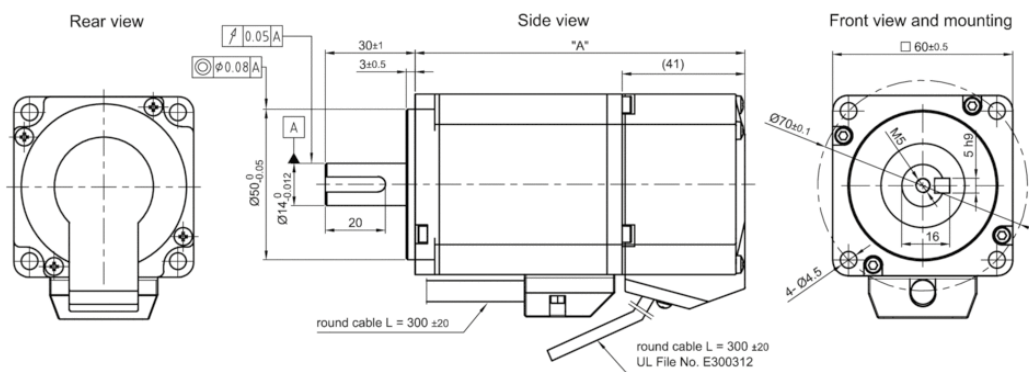
With rated power of 200 W, the high-performance BLDC motor APBA60M048030-E not only matches the power of AC servo motors with 60 mm flange but are also mechanically compatible. The DC motors are rated IP65 and comes standard with integrated encoder. The incremental encoder resolution is 2,500 CPR (10,000 PPR).

This motor is especially suited for battery-powered applications, such as AGVs or service robots, because of its low voltage. It is also safe for use in medical or other environments where standard AC servos would require additional insulation and safety measures.

Technical parameters

Flange	60 mm	Weight	1 kg
Size	NEMA 24	Rated voltage	48 V
Rated power	200 W	Peak torque	192 Ncm
Rated current	6 A	Encoder resolution	2500 CPR
IP-protection motor	IP65	Rated speed	3000 rpm
Rotor inertia	210 gcm ²	Line to line resistance	0.56 Ohm
Line to line inductance	1.2 mH	Length	110 mm
Rated torque	64 Ncm	Encoder	yes
Torque constant	10.7 Ncm/A	Operating voltage	5 V
Encoder type	incremental		

Dimensions



Address: Tallinn Science Park Tehnopol,
Akadeemia tee 21/6, 12618, Tallinn, Estonia
Phone: +372 6559914
E-mail: sale@smd.ee



SMART MOTOR DEVICES
DRIVERS AND CONTROLLERS FOR ELECTROMOTORS